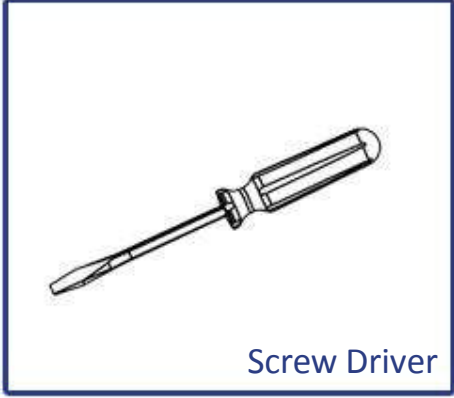
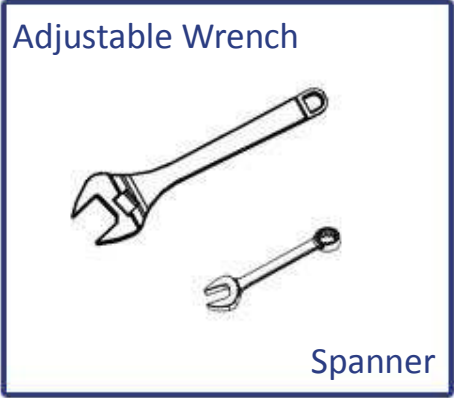
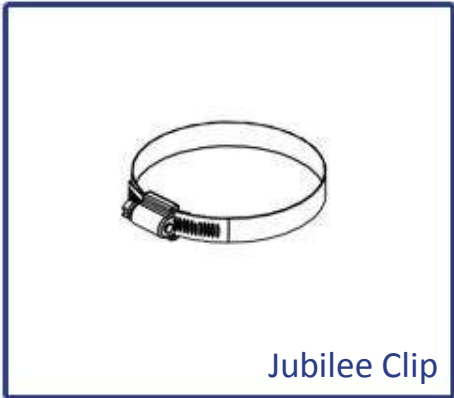
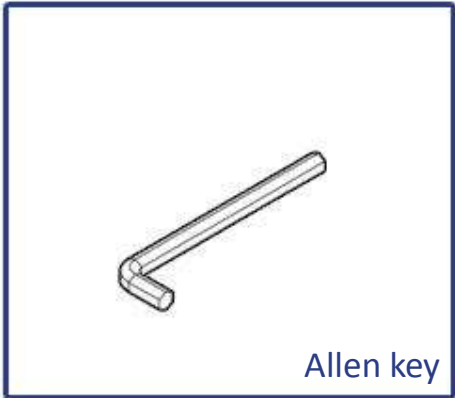




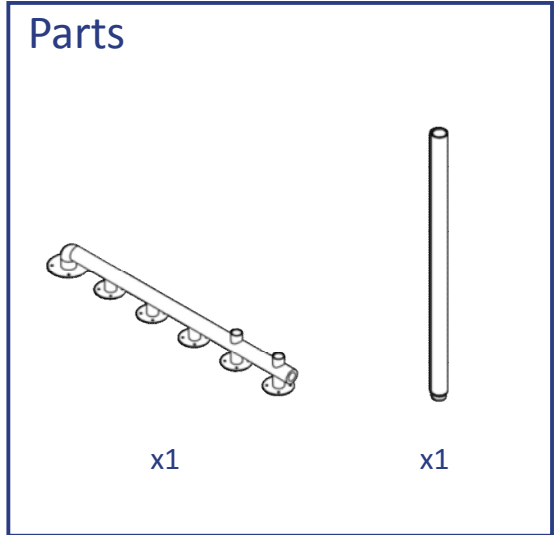
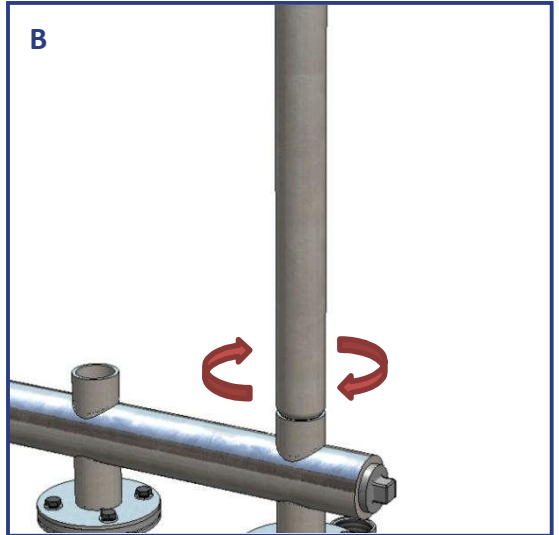
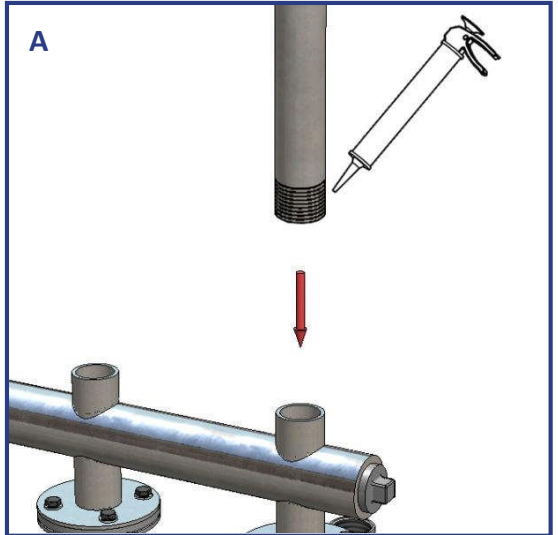
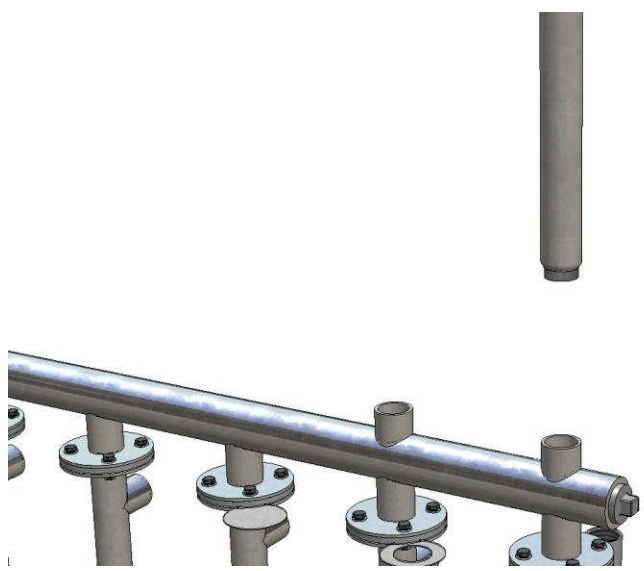
Easy
RISER

FITTING INSTRUCTIONS

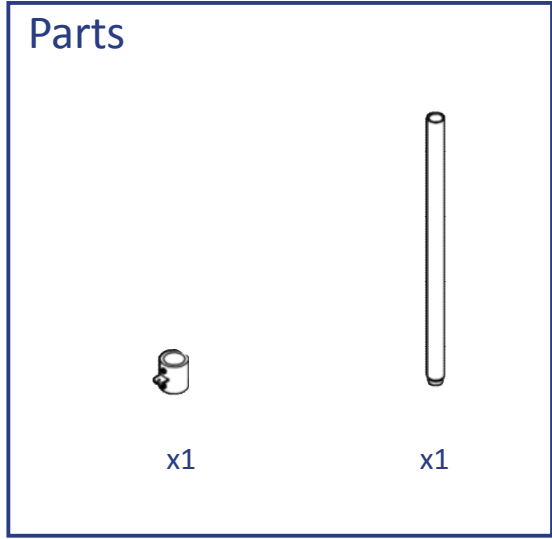
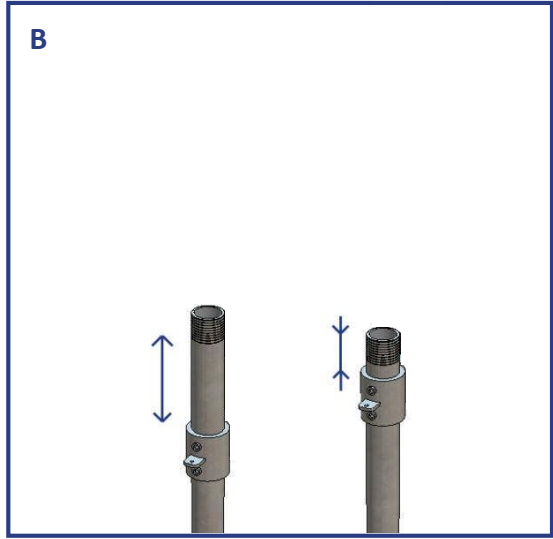
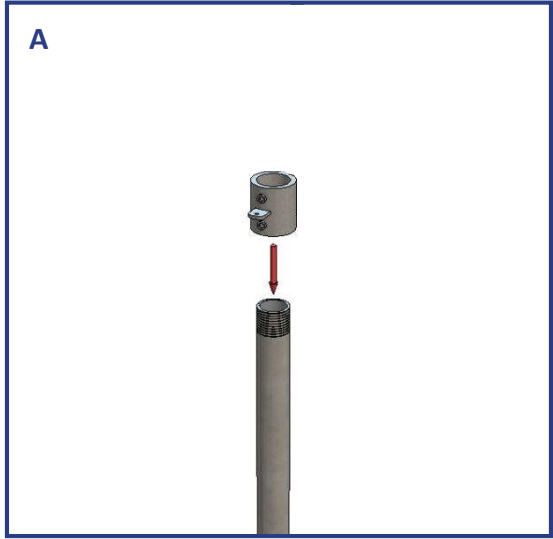
Tools to use



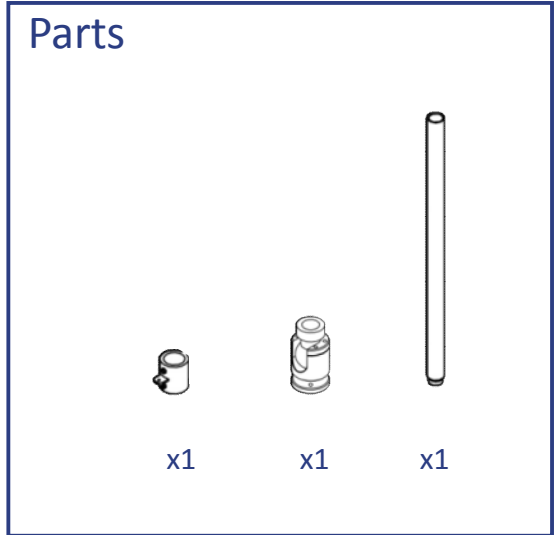
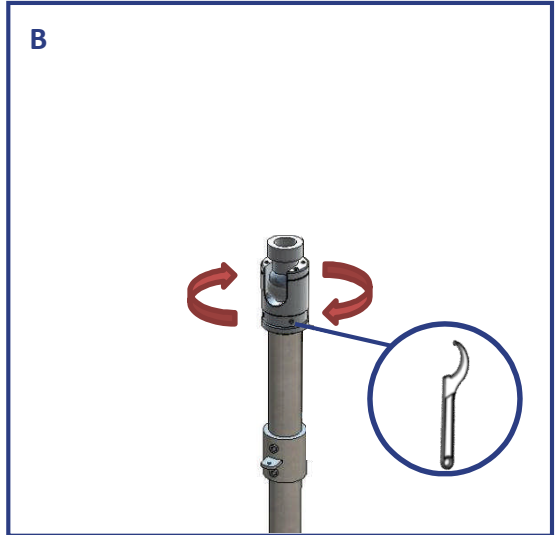
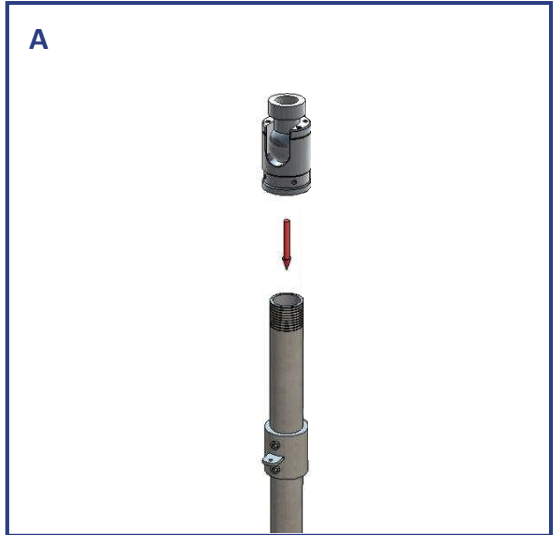
1



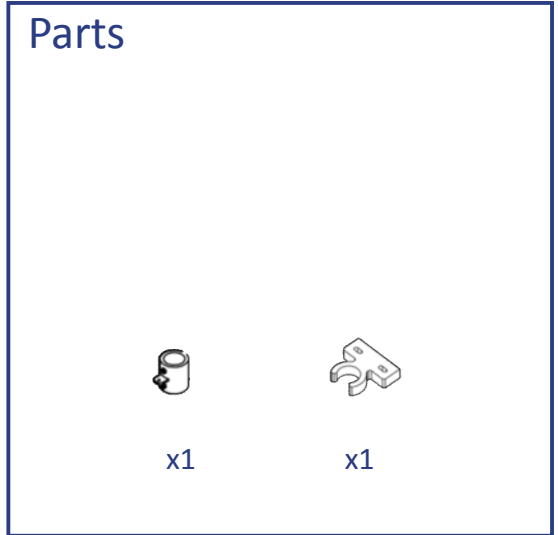
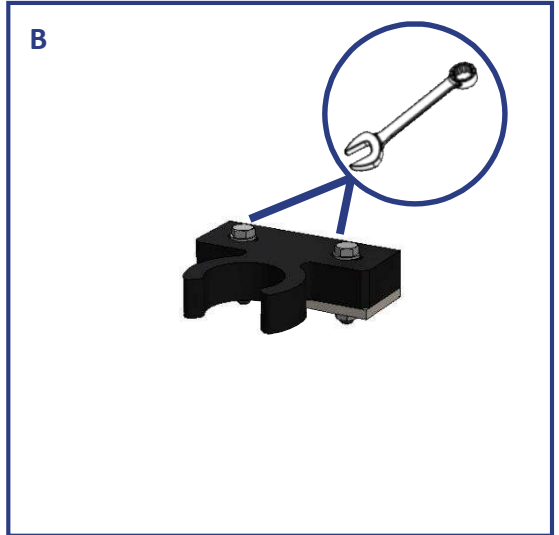
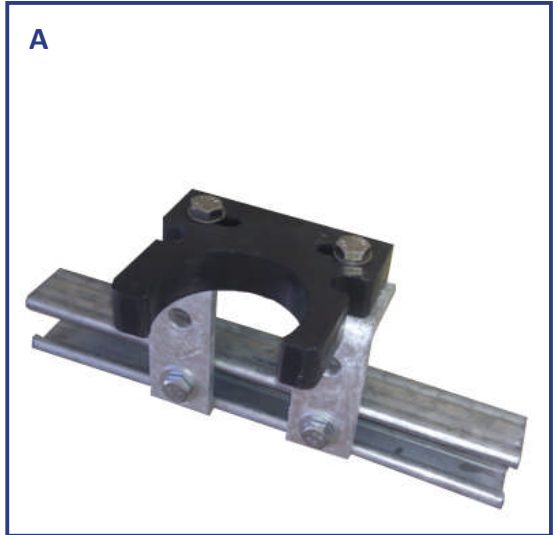
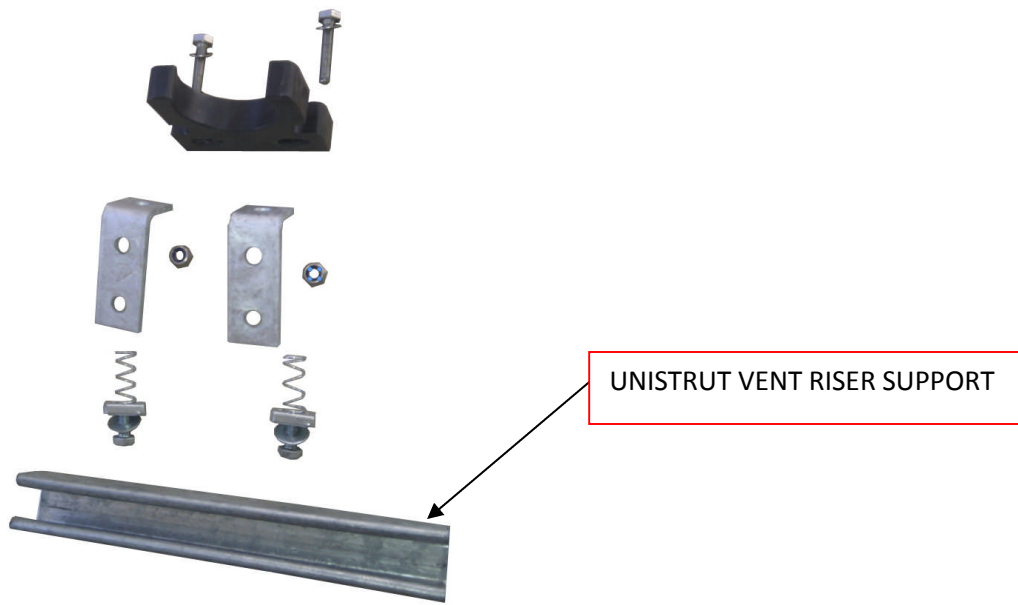
2



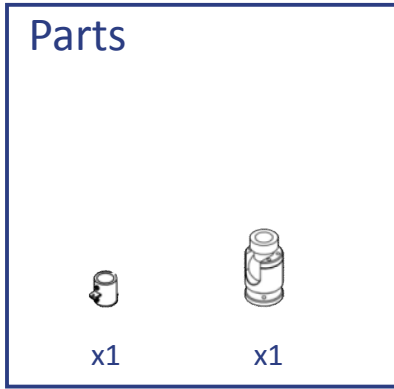
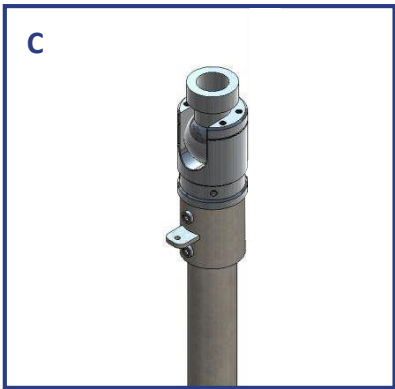
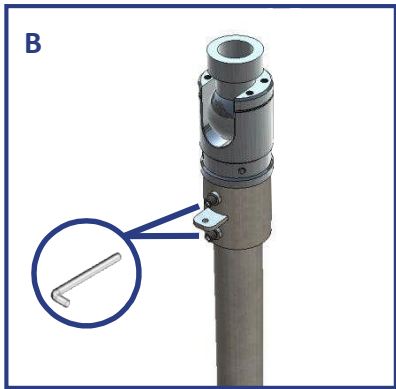
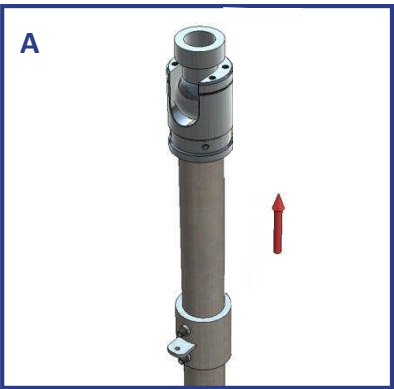
3



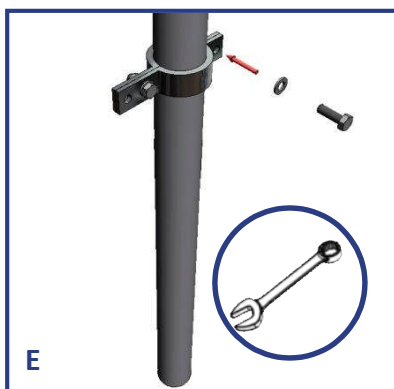
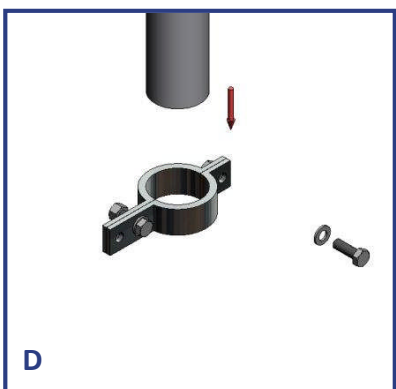
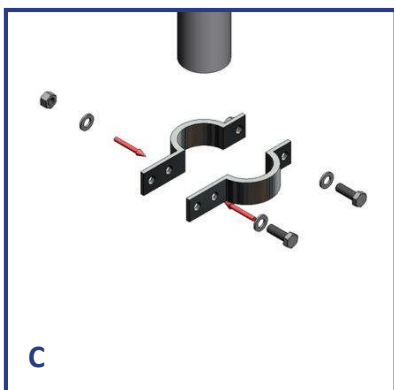
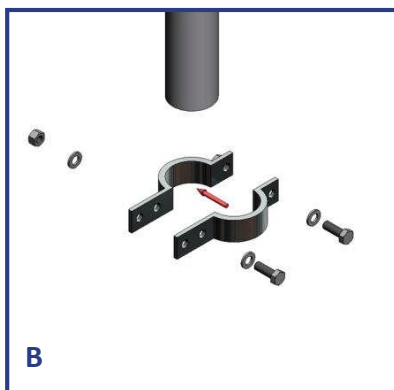
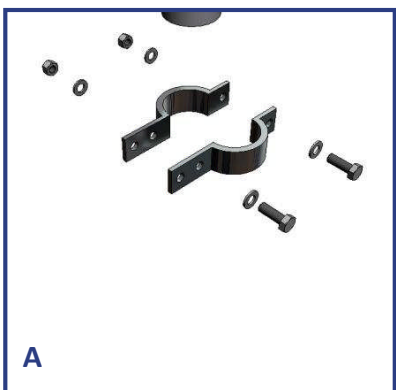
4



5



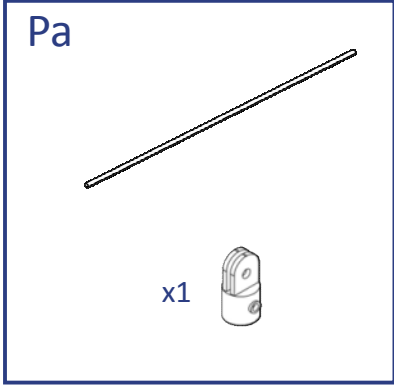
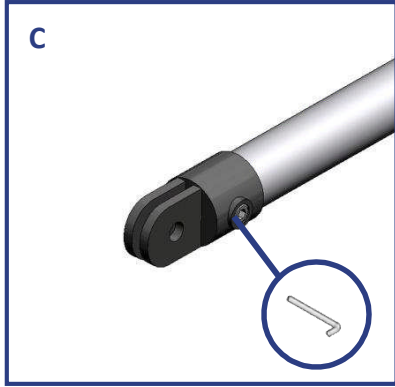
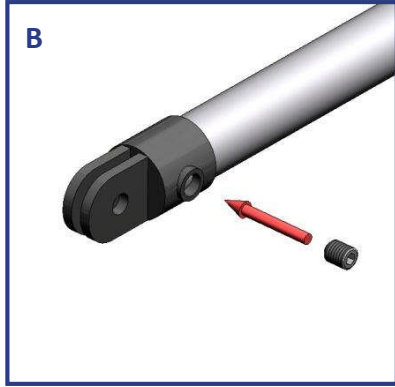
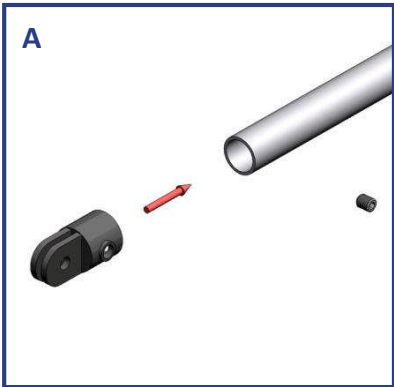
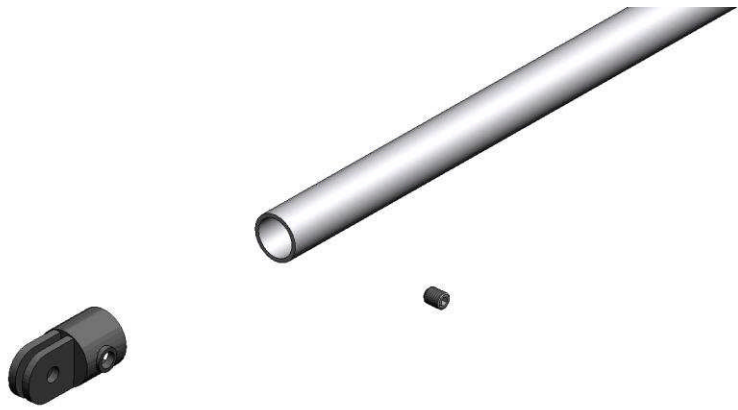
6

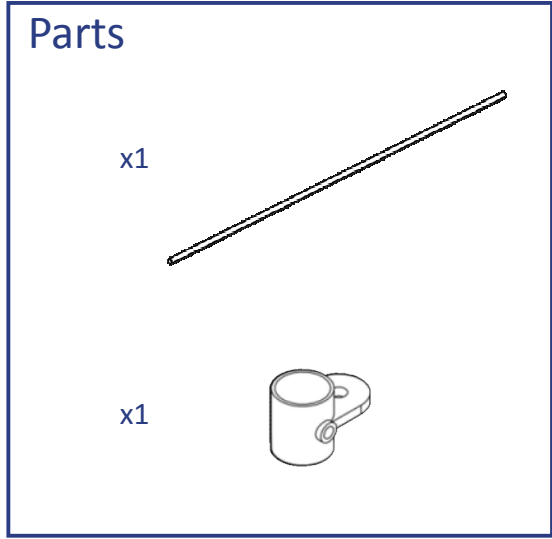
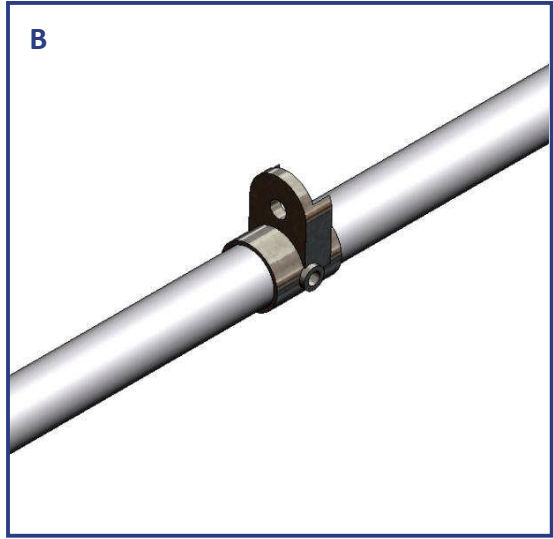
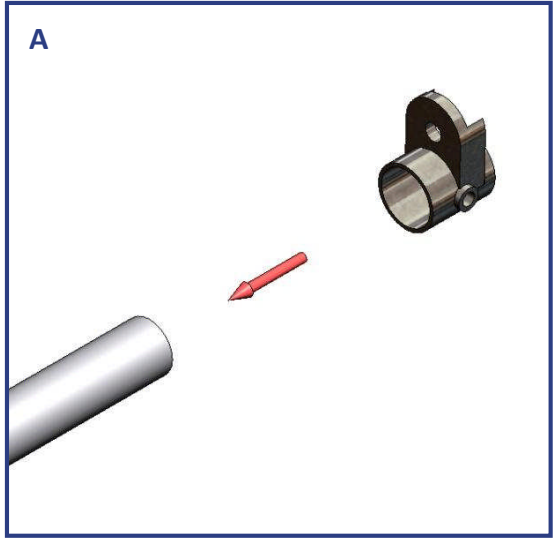
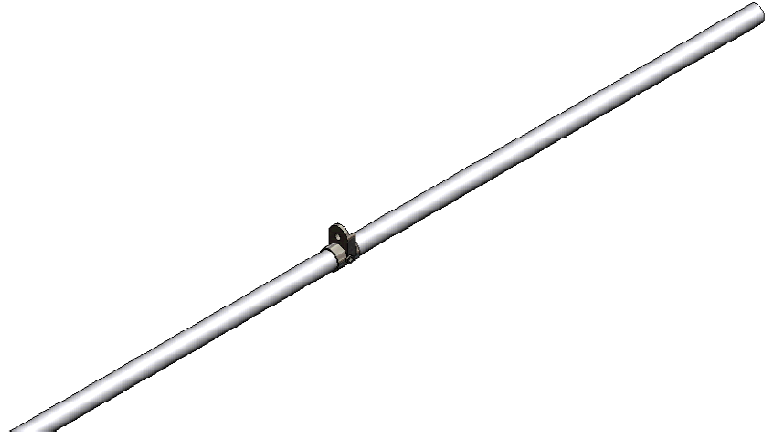


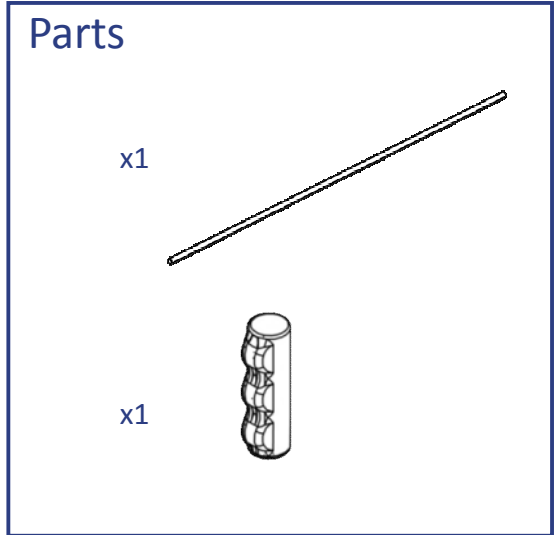
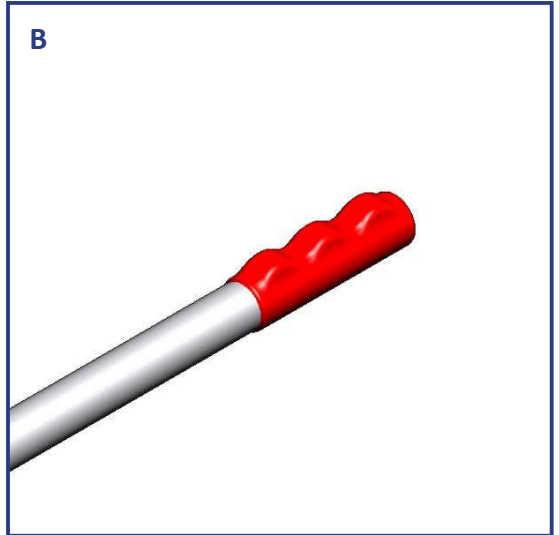
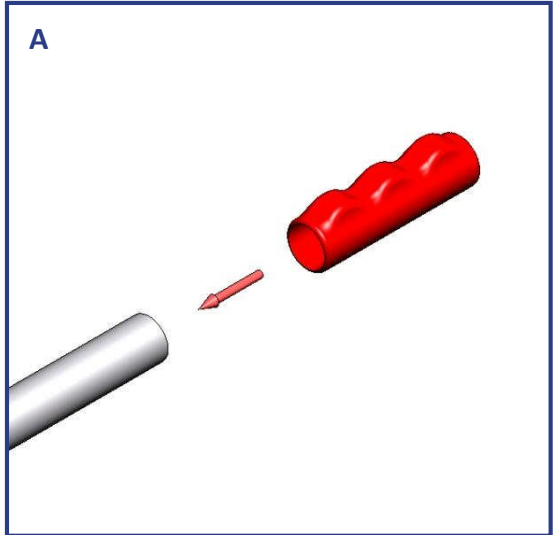
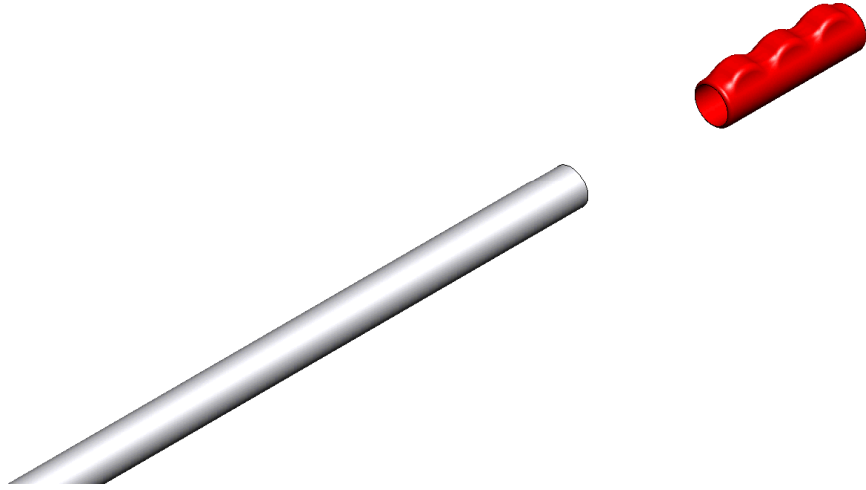
Parts

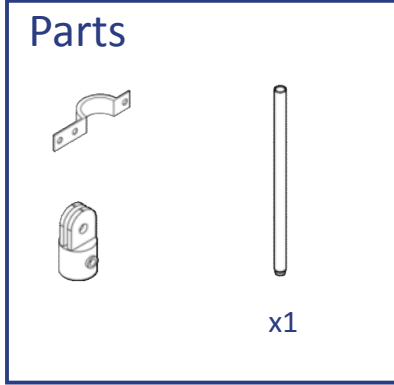
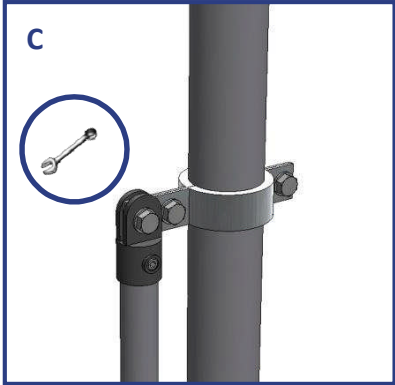
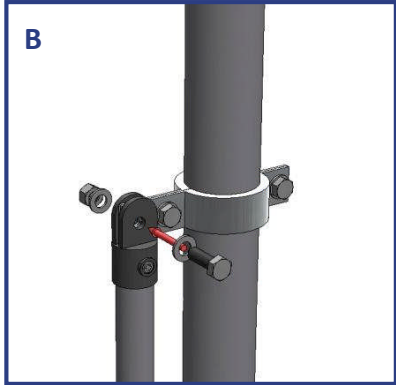
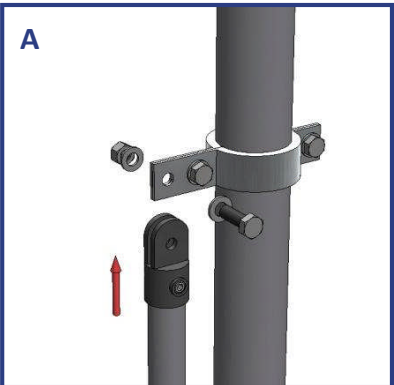
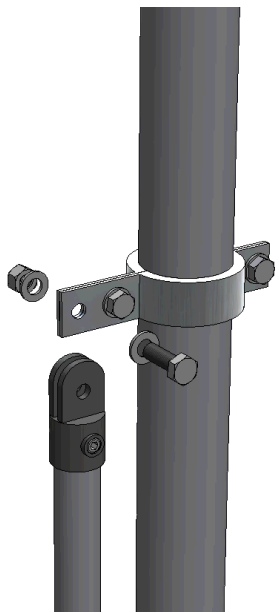
Parts list diagram showing two C-shaped brackets labeled 'x2' and one long thin cylindrical rod labeled 'x1'.

7





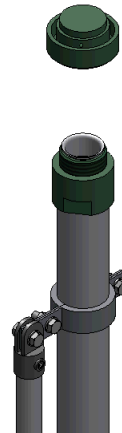




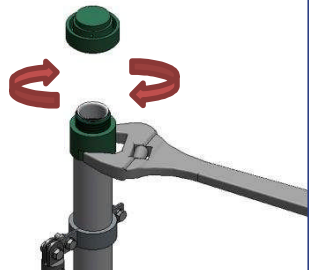
FIT SITE SPECIFIC REQUIREMENTS:

VENT, BULLHORN ADAPTOR,

PV VENT, ORIFICE VENT



A



B



Parts

