

VIII BSPP Nozzles



Automatic shut off nozzle with polymer handguard for truck stop and other high volume full-service, self-service and unattended stations.

- VIII nozzle shuts off when:
 - the pump shuts off.
 - the gas tank is full.
 - the lever is opened before the pump is turned on.
 - the leak detector has not completed the test cycle.
- Spout is reinforced with thick aluminum bushing that retains spout spring and keeps spout from rounding-in: the two leading causes of clicking off and splash-back spillage.
- Nozzle is equipped with a unique Flo-Stop® device that shuts off the nozzle if it falls from the fill tank or raises above the horizontal.



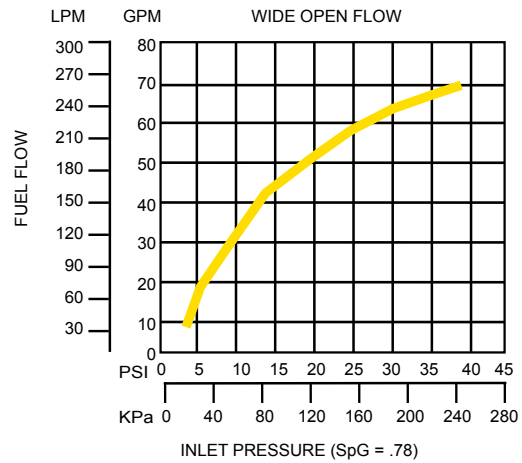
New Nozzles

MODEL NO.	DESCRIPTION	SHIPPING WEIGHT LBS (KG)
173338N [^]	with Three Notch Hold Open Clip, Waffle Splash Guard and Spout Bushing	4.5 (2.0)
503038N [^]	with Three Notch Hold Open Clip and Waffle Splash Guard, without Spout Bushing	4.5 (2.0)

[^] NOT LISTED

Construction

Body	Aluminum
Seals	Fluorocarbon
Packing	Double o-ring seal protected by fiber reinforced Teflon®
Lever	One piece contoured steel
Inlet	1" / 25.4 mm BSPP





VIII BSPP Nozzles

Automatic shut off nozzle with polymer handguard for truck stop and other high volume full-service, self-service and unattended stations.

Dimensions and System Options

BSPP Safe-T-Breaks®

MODEL NO.	DESCRIPTION
003076	1" F x 1" F Reconnectable Safe-T-Break®
003076A	1" F x 1" F Reconnectable Safe-T-Break® - Atex
006914	1" F x 1" F Non-Reconnectable Safe-T-Break®

BSPP Swivels

MODEL NO.	DESCRIPTION
003306	1" M x 1" F Multi-Plane Swivel
006949	1" M x 1" F Multi-Plane High Flow Swivel

BSPP Swivel/Safe-T-Break® Combos

MODEL NO.	DESCRIPTION
008015	1" M BSPP Multi-Plane Swivel connected to 1" F BSPP Reconnectable Safe-T-Break®
008015A	1" M BSPP Multi-Plane Swivel connected to 1" F BSPP Reconnectable Safe-T-Break® - Atex

Spouts

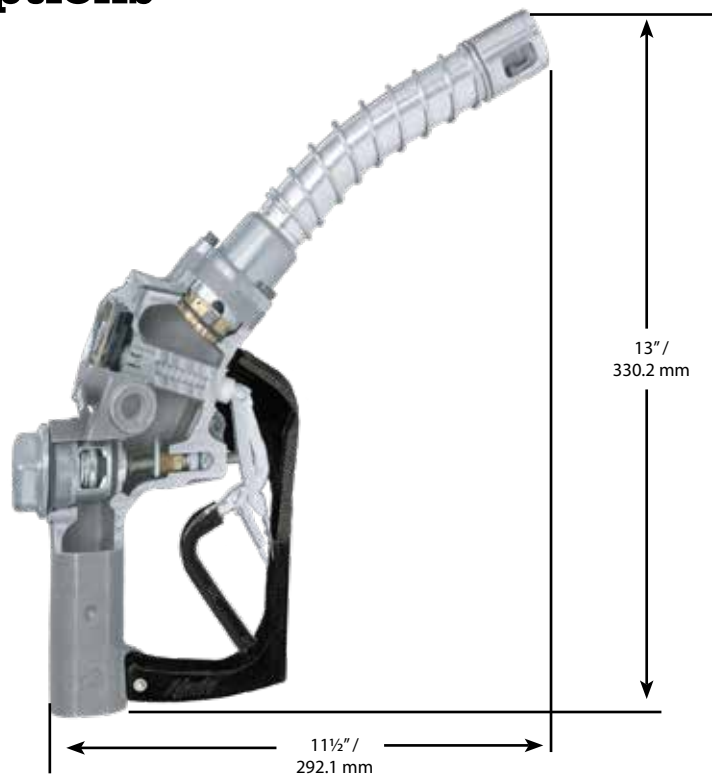
MODEL NO.	DESCRIPTION
002279	Complete Spout Assembly Kit with Bushing
005017	Complete Spout Assembly Kit without Bushing
003589	Complete Long Spout Assembly with Spout Bushing
011043	Complete Spout Assembly without Bushing and Small Spout Spring

Pressure/Vacuum Vents

MODEL NO.	DESCRIPTION
004620	2" Slip-On Pressure Vacuum Vent
004885	2" Thread-On Pressure Vacuum Vent - NPT
005885	2" Thread-On Pressure Vacuum Vent with internal screen - NPT

Accessories, Testing and Maintenance

MODEL NO.	DESCRIPTION
003593	Hold Open Clip Kit
007089	Nozzle Service Kit
006645	Plunger Assembly Lift Tool



Guards

MODEL NO.	DESCRIPTION
004740	Full Grip Guard
005516	Full Grip Reguard
005494	Lever Guard
008178	POPD® EZH Nozzle Guard
008177	POPD® EZS Nozzle Guard
007999	POPD® H Clear Cover
008186	POPD® H Full Grip Guard
008193	POPD® H Full Grip Reguard
008168	POPD® H Mate Guard
006628	POPD® S Clear Cover
007352	POPD® S Full Grip Guard
008194	POPD® S Full Grip Reguard
008167	POPD® S Mate Guard
001808	Waffle Splash Guard



2325 Husky Way • Pacific, MO 63069
 (800) 325-3558 • Fax (636) 825-7300
www.husky.com • sales@husky.com

MADE IN THE U.S.A.