

HUSKY PRESSURE / VACUUM VENT

VENT CAP FOR UST

VAPOR RECOVERY

Model 10088 and 10037 have three (3) separate valves that address pressure / vacuum conditions in underground storage tanks (UST).

- Husky pressure / vacuum (P/V) vents incorporate three (3) separate valves to control over-pressure and vacuum conditions that arise in storage tanks. The three (3) valve system provides the necessary protection and durability needed in a UST vent cap.
- The vacuum valve is diaphragm operated and provides ten (10) times more sealing force than gravity devices. It constantly opens at 6" - 10" of water column (WC) / 1.5 - 2.5 KPa vacuum.
- The first over-pressure valve is diaphragm operated, giving ten (10) times more sealing force than gravity devices. It opens at 2.5" - 6" WC / .63 - 1.5 KPa pressure.
- The safety over-pressure valve is designed to handle high pressure / high flow conditions. This valve will vent up to 7900 SCFH at 2 psi / .14 bar.
- Model vents are a threaded vent cap that's easily installed by using the cast-on hex nut which allows tightening without having to go between vent pipes.
- Model 10088 vent cap with 10mm built in Orifice.
 - Model 10037 Vent cap without 10mm Orifice.
 - 10088 vent designed with rubber plug being inserted into 10mm to pass CP201.1.E. Vents pass CP201.1.1.E. for NSW EPA.

SPECIFYING INFORMATION

Model Number	Description	Shipping Weight ^{lbs (kg)}
10088	2" / 51 mm Thread-On Pressure / Vacuum Vent Cap	1.2 (.54)
10037	2" / 51 mm Thread-On Pressure / Vacuum Vent Cap	1.2 (.54)

CONSTRUCTION

Body	Aluminum
Screen	40 Mesh Stainless Steel
Set Screws	Stainless Steel
Deflector	Aluminum

LISTINGS

- Listings:
-  UL
 -  Texas Commission on Environmental Quality
 -  California Environmental Protection Agency AIR RESOURCES BOARD



Model 10088 shown

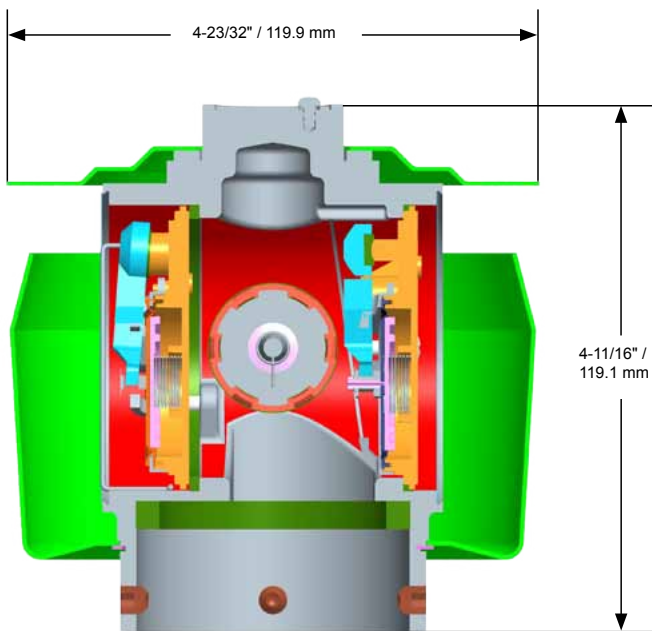
This component was tested to and met the following criteria:

PRES. 2.5-6 IN. W.C.
VAC. 6-10 IN. W.C.
.05 CFH @ +2 IN. W.C.
.21 CFH @ -4 IN. W.C.

HUSKY PRESSURE / VACUUM VENT

VENT CAP FOR UST

- Dimensions
- Accessories



Model 10037 shown Left - Model 10088 shown Right

Testing Equipment

Model No.	Description
5426	Pressure / Vacuum Vent Test Adapter

