

# Galasy II

PETROLEUM GAS CANOPY

## GALASY II

### FEATURES

- Value focused, budget-friendly canopy lighting solution
- Low glare, even illumination and no pixelation for outstanding illumination
- High efficacy of over 150 LPW for maximum energy savings
- Universal retrofit solution for HID replacements for various sizes
- Driver accessible and field serviceable under canopy
- Pendant or surface mount options with 3/4" conduit
- IP66 rating to keep water and insects out



### SPECIFICATIONS

#### CONSTRUCTION

- Die-cast aluminum, low profile housing
- New construction or retrofit solution
- Targets a large range of applications
- Easy installation
- Driver and optical chamber serviceable from below canopy
- White powder coat finish
- Heat sink design to disperse heat away from fixture
- Suitable for wet locations

#### OPTICS

- Textured glass drop lens
- Type V distribution
- Low glare

#### INSTALLATION

- Surface or pendant mounted
- Easy installation and serviceable below the deck

#### ELECTRICAL

- Universal 120-277 input voltage
- Power Factor > 0.9 at full load
- Total Harmonic Distortion < 20% at full load
- 6 kV Surge Protection
- 0-10 Volt Dimmable Driver
- Operating temperature: -40°C to +40°C

#### CERTIFICATIONS

- UL Listed
- DLC® (DesignLights Consortium Qualified), with some Premium Qualified configurations. Please refer to the DLC website for specific product qualifications at [www.designlights.org](http://www.designlights.org)
- Wet Location Listed
- IP66 Rated

#### WARRANTY

- 5 year warranty
- See [HLI Standard Warranty](#) for additional information

### ORDERING GUIDE

Example: GSY-100-4K7

CATALOG # \_\_\_\_\_

GSY		
Series	Size	Color Temp
GSY Galasy II	100	4K7 4000K, 70 CRI 5K7 5000K, 70 CRI

KEY DATA	
Lumen Range	15,400 - 15,500
Wattage Range	100 Watts
Efficacy Range (LPW)	153
Reported Life (Hours)	60,000

# Galasy II

PETROLEUM GAS CANOPY

## STOCK ORDERING INFORMATION

Catalog Number	Catalog Name	Mounting	Distribution	Wattage	Voltage	Lumens	LPW	CCT	Weight lbs. (kg)
93131271	GSY-100-5K7	Pendant/Surface	V	100W	120-277V	15,566	153	5000K/70	9.92 (4.49)
93131585	GSY-100-4K7	Pendant/Surface	V	100W	120-277V	15,395	153	4000K/70	9.92 (4.49)

## PERFORMANCE DATA

Product	Lumens	B	U	G	LPW	CRI	CCT
GSY-100-4K7	15,395	3	2	2	153	70	4000K
GSY-100-5K7	15,566	3	2	2	153	70	5000K

\*Data is considered to be representative of the configurations shown. Actual performance may differ as a result of end-user environment application and inherent performance balances of the electrical components.

## ELECTRICAL DATA

Product	Nominal Wattage	Input Voltage (Volts)	Operating Current (Amps)	System Power (Watts)
GSY	100	120	0.838	100.50
		208	0.483	
		240	0.419	
		277	0.363	

## PROJECTED LUMEN MAINTENANCE

Ambient Temp.	Operating Hours					Calculated L70 (hours)
	0	25,000	*TM-21-11 36,000	50,000	100,000	
25°C / 77°F	1.00	0.97	0.95	0.93	0.84	205,000
40°C / 104°F	0.99	0.95	0.93	0.90	0.81	178,000

1. Projected per IESNA TM-21-11 \* (Nichia NFSL757DT-VT, 150mA, 85°C Ts, 10,000hrs) Data references the extrapolated performance projections for the base model in a 40°C ambient, based on 10,000 hours of LED testing per IESNA LM-80-08

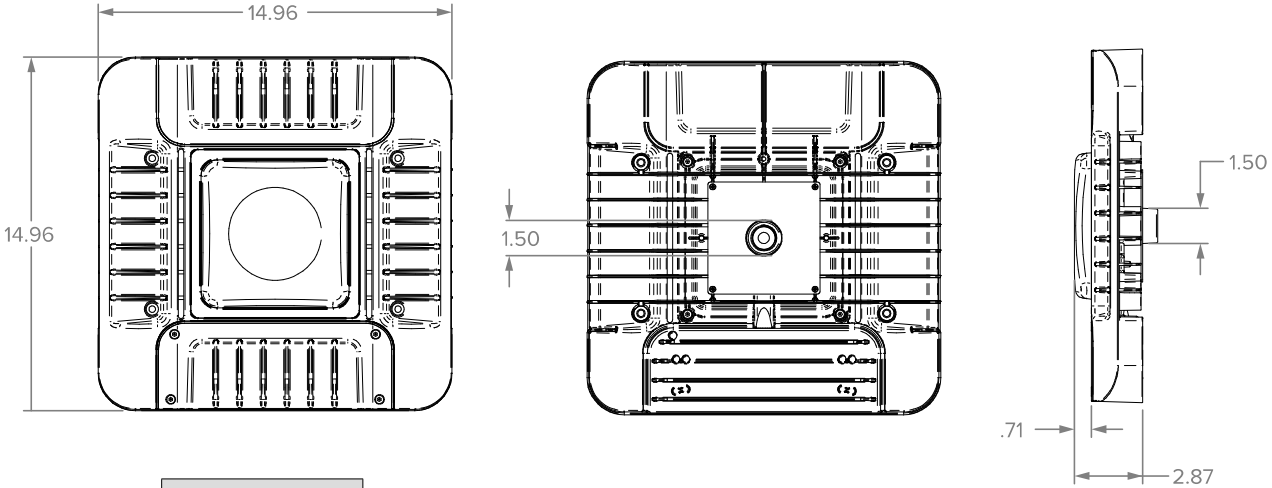
## LUMINAIRE AMBIENT TEMPERATURE FACTOR (LATF)

Ambient Temperature		Lumen Multiplier
0°C	32°F	1.03
10°C	50°F	1.01
20°C	68°F	1.00
25°C	77°F	1.00
30°C	86°F	0.99
40°C	104°F	0.98
50°C	122°F	0.97

# Galasy II

PETROLEUM GAS CANOPY

## DIMENSIONS



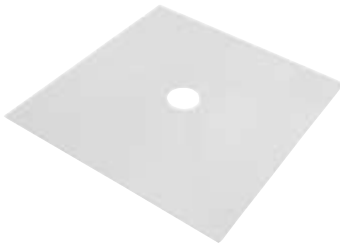
Weight	
Product	10 lbs. (4.53 kg)
Carton	12 lbs. (5.44 kg)

## MOUNTING ACCESSORIES

### Accessories (order separately)

- 93133148** WHITEWAY 15 IN CVR PLT WHT VSH/GSY Retrofit cover plate for LSI Encore 13" square-replacement for 10" opening
- 93133149** WHITEWAY DECORATIVE CVR PLT VSH/GSY 26" Decorative Beauty Plate for Canopy Retrofits
- 93133151** WHITEWAY HID RETRFT KIT WHT VSH/GSY Universal HID retrofit kit (fits square surface mounted retrofit kit for 21" Whiteway Vision, Riviera II, Thunderbird housing, 22" Jet Phillips Hustonian SHO/RHO2 and 23" LSI Masters/Dakota.\*)
- 93133177** WHITEWAY STEM AND JUNCTION BOX

**93133148**

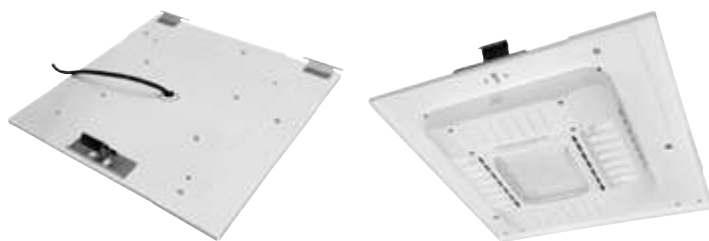


**93133149**



**93133151**

• Measure outside dimension of existing housing



**93133177**

