

# A1004EVR-316AB

## Single Wall Poly

### Spill Containment

#### Specifications

- Replaceable; easily repair or replace primary unit from grade without breaking concrete
- 5 gal capacity
- Screw on, 4" BSPT Threads
- Weights: Lid 15.9 lbs, Total: 66 lbs

#### Materials

- Cast iron rim
- Cast iron water-resistant lid, built-in handle & exclusive triple wiper seal

#### Installation

- Grade level
- Installs 16" on center

#### Components

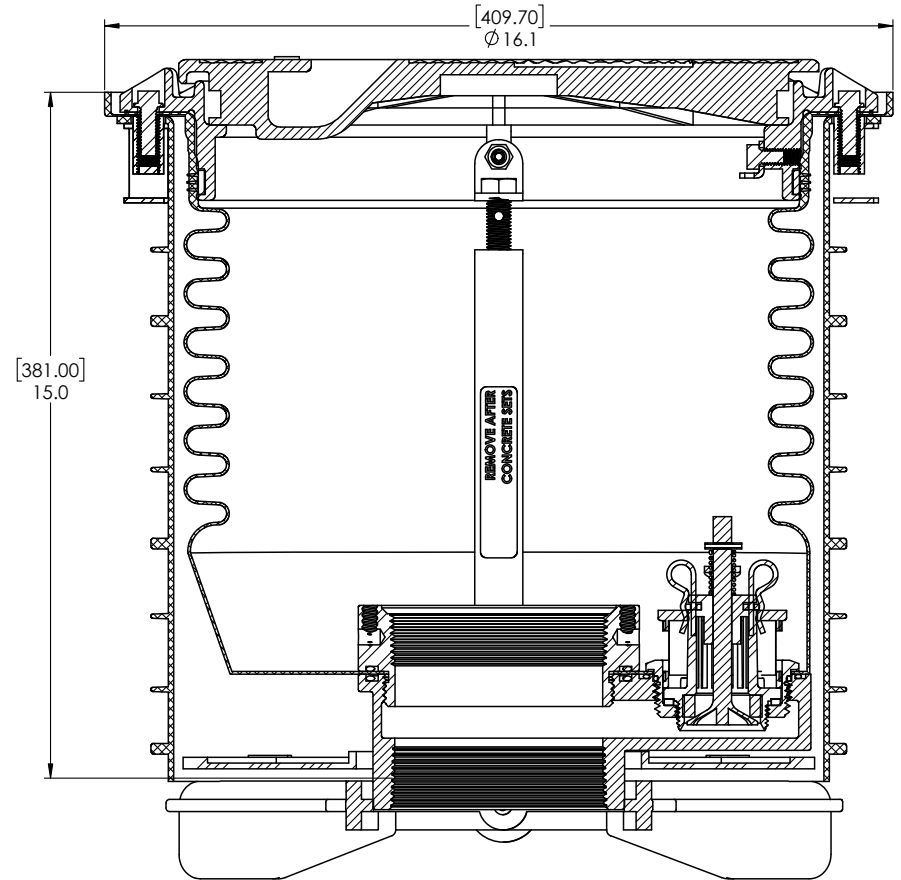
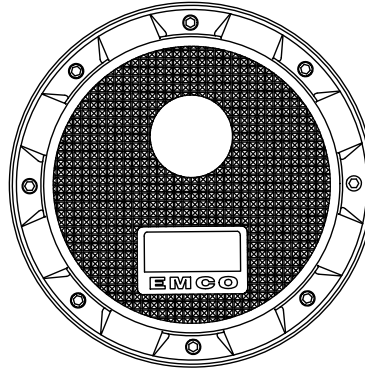
- Drain valve

#### Approvals

- Phase I EVR Executive Order VR-105
- FL DEP #EQ -741
- Lid meets H20 Load Rating

#### Color Variant Part Numbers

Model No.	Rim/Lid	Adapter/Cap
A1004EVR-316AB	Black	N/A



EMCO WHEATON RETAIL CORPORATION  
2300 INDUSTRIAL PARK DRIVE  
WILSON, NC 27893

**DO NOT SCALE DRAWING-WORK TO DIMENSIONS SHOWN**  
DIMENSIONS ARE IN INCHES (DIMENSIONS IN BRACKETS ARE IN MILLIMETERS)

UNLESS OTHERWISE SPECIFIED		DRAWN BY	DATE	USED ON	SYM	REVISIONS	DATE	BY
DECIMALS	ANGLES	NPC	6/11/2015					
X ± .030	XX ± .015	CHECKED BY	DATE	PROJECT NUMBER	PART NAME			
XXX ± .005	± 1°	APPROVED BY	DATE	SCALE	SINGLE WALL 16" CENTER			
CASTING TOLERANCES TO INDUSTRY STANDARDS MACHINED SURFACES 125 RMS REMOVE ALL BURRS				WEIGHT	BSPT W/ EVR DRAIN			
THE INFORMATION AND DESIGN DISCLOSED BY AND THE COPYRIGHT IN THIS DRAWING ARE THE PROPERTY OF EMCO WHEATON RETAIL CORP. AND CANNOT BE USED WITHOUT WRITTEN PERMISSION.				N/A	SIZE	DRAWING NUMBER	PAGE	REV
		MATERIAL		CASTING NUMBER	A	A1004EVR-316AB	1 OF 1	A
		SEE NOTE						