

## PLX Electrical conduit pipe and chamber entry fitting

For protecting conveyed cables

A unique external barrier conduit, with an integrated aluminium barrier layer, offering true external permeation protection to conveyed cables from fuel spillages and chemicals present in contaminated land.

Our PLX Electrical Conduit is suited for non pressure applications in petro chemical and industrial environments.

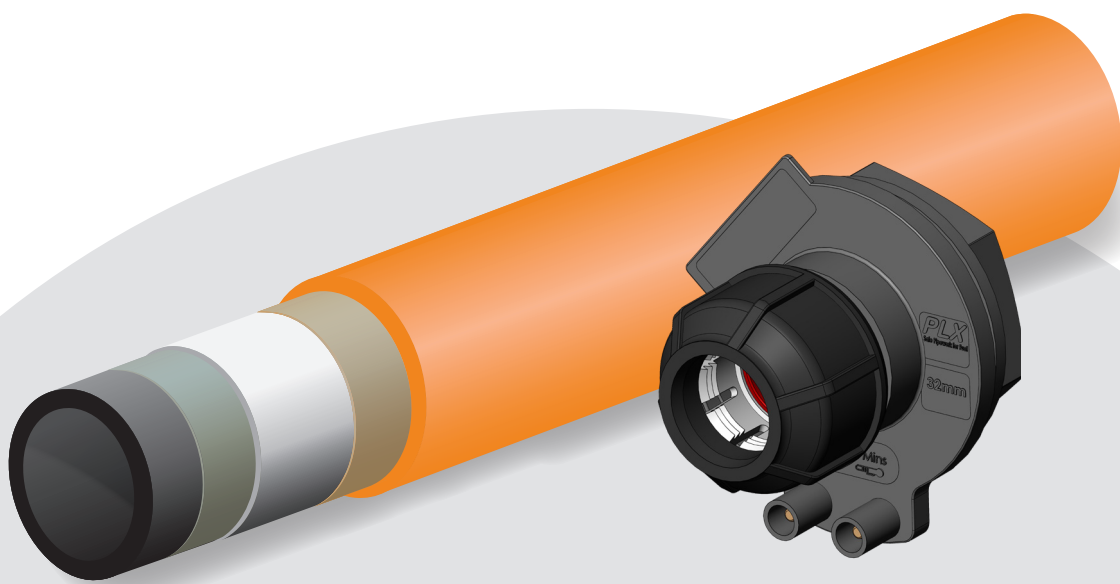
### The ultimate cable protection solution

- Protects conveyed cables from potential fuel spillages or leaks, along with chemicals that may be present in contaminated land
- Suitable for corrosive conditions
- A lightweight, flexible pipe that is easy to install

### Fittings

PLX Electrical Conduit can be jointed by means of Philmac compression fittings or PLX electrofusion fittings\*

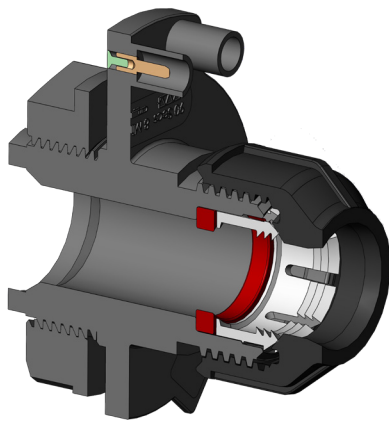
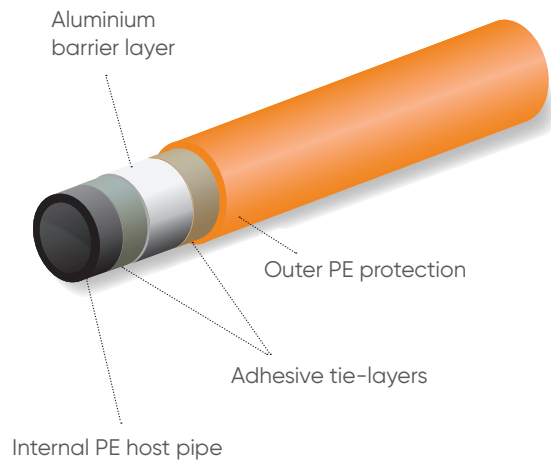
Our conduit range also features a 32mm electrofusion chamber entry fitting for forecourt applications (additional sizes are available on request).



\*If utilising PLX electrofusion technology, PLX Electrical Conduit peeling tool will be required to remove the external aluminium layer prior to fusion.

**The double bonded five layer construction comprises:**

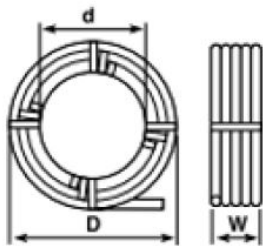
- An internal black PE host pipe (PE80) made from 100% recycled material sourced from our own production
- An impermeable aluminium barrier layer to stop the ingress of contaminants
- An outer PE protection layer (PE100) and two adhesive tie layers



**32mm chamber entry fitting**

- Electrofusion welded to the chamber.
- No rubber seals or gaskets required
- Securing nut holds fitting in place prior to welding
- Compression joint gives fast, secure connection to conduit pipe.

**Electrical conduit pipe**

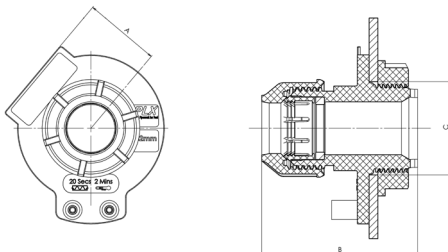


Size (OD)	Coil length (M)	d (mm)	D (mm)	W (mm)	Weight (kg)
32mm	100	700	1090	220	27.8

\*Bend Radius 15 x OD (average)

Approved to mechanical requirements of AS/NZS 61386.1.2015 by RINA consulting (supersedes AS/NZS 2053.1.2001)

**Chamber entry fitting**



Size (OD)	A (mm)	B (mm)	C (mm)	Weight (kg)
32mm	52	106	63.5	27.8

[alixis.co.uk/plx](http://alixis.co.uk/plx)

T • +44 (0) 1543 471680  
E • enquiries@durapipe.co.uk

Aliaxis UK reserves the right to modify the details in this publication as products and specifications are updated and improved. The content of this publication is for general information only and it is user's responsibility to determine the suitability of any product for the purpose intended.

Glynwed Pipe Systems Ltd t/a Aliaxis UK, registered in England 01698059.  
Registered Office: Dickley Lane, Lenham, Maidstone, Kent, ME17 2DE.