

# Model 691A Spring Loaded Ball Valve

SPECIFICATION SHEET

Ball valves are used throughout fuel piping systems where a shut-off is required or desired.

## Features

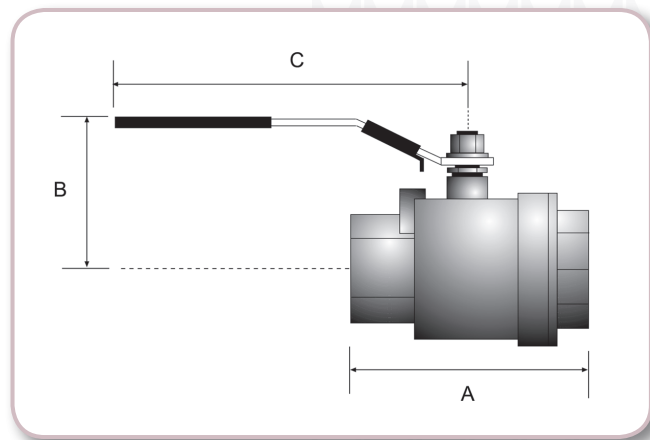
- Spring loaded auto return
- Quarter turn operation
- Full port for maximum flow and minimum pressure drop
- Can be operated in partial open position for flow control
- Double seal allows the valve to be operated in both directions
- Blowout proof stem
- 600 PSIG non-shock cold working pressure rating for 1/4" to 2" size
- Can be used for air service

## Construction Details

- Forged brass body
- Hard chrome plated ball
- PTFE seal

## Certifications & Listings

- UL 842 listed for flammable liquids
- UL 125 listed for LP gas shut-off
- CSA listed (File No. 112439, Model S.95)



| Size   | Dimension A | Dimension B | Dimension C | Port Size |
|--------|-------------|-------------|-------------|-----------|
| 1/4"   | 1.771       | 1.504       | 3.937       | 0.314     |
| 3/8"   | 1.771       | 1.504       | 3.937       | 0.393     |
| 1/2"   | 2.322       | 1.679       | 3.937       | 0.590     |
| 3/4"   | 2.519       | 1.956       | 4.724       | 0.787     |
| 1"     | 3.188       | 2.114       | 4.724       | 0.984     |
| 1 1/4" | 3.661       | 2.858       | 6.220       | 1.259     |
| 1 1/2" | 4.015       | 3.094       | 6.220       | 1.574     |
| 2"     | 4.763       | 3.370       | 6.220       | 1.968     |

| Item Number  | Size   | Weight (lbs) |
|--------------|--------|--------------|
| 691A-0100 1V | 1/4"   | 0.38         |
| 691A-0200 1V | 3/8"   | 0.36         |
| 691A-0300 1V | 1/2"   | 0.49         |
| 691A-0400 1V | 3/4"   | 1.05         |
| 691A-0500 1V | 1"     | 1.40         |
| 691A-0600 1V | 1 1/4" | 2.06         |
| 691A-0700 1V | 1 1/2" | 2.65         |
| 691A-0800 1V | 2"     | 4.06         |

570 E. 7th Street, P.O. Box 238 | Dubuque, IA 52004-0238

t. 563.583.5701 | 800.553.4840 | f. 563.583.5028

www.morbros.com